

BRAVE

M800181A

Fuel tank kit for HBHS600GXE,
HBHS610GXE, HBHS620GXE

Instructions for Assembly

Fuel Tank Kit

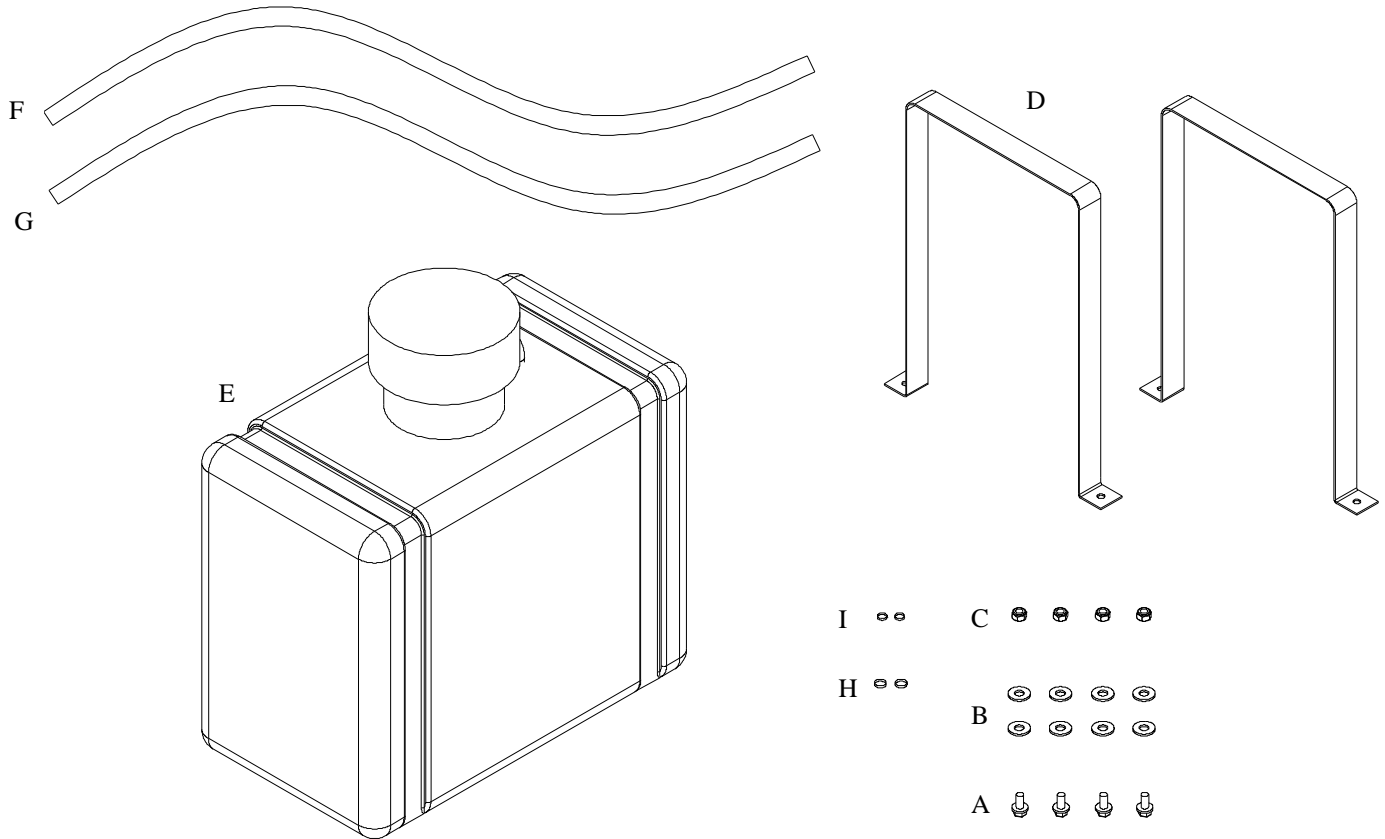
WARNING

Before installing kit or operating unit, please read instructions in owner's manual and review warnings. Failure to read the manual before installing components could result in serious injury or damage to the hydraulic power pack.

Any Questions, Comments, Problems or Parts Orders
Call Brave Product Support 1-800-350-8739

Installation Instructions

Kit Contents



REF#	ITEM #	DESCRIPTION	QTY
A	1011119	1/4"-20 x 1" HHCS	4
B	1015046	1/4" Flat Washer	8
C	1015073	1/4"-20 Nylon-Insert Hex Lock Nut	4
D	468975A	Fuel Tank Strap	2
E	1158884	Fuel Tank w/ Cap	1
F	468851A	Fuel Supply Hose	1
G	468894A	Carbon Canister Hose	1
H	468898A	Hose clamp (large)	2
I	468850A	Hose clamp (small)	2

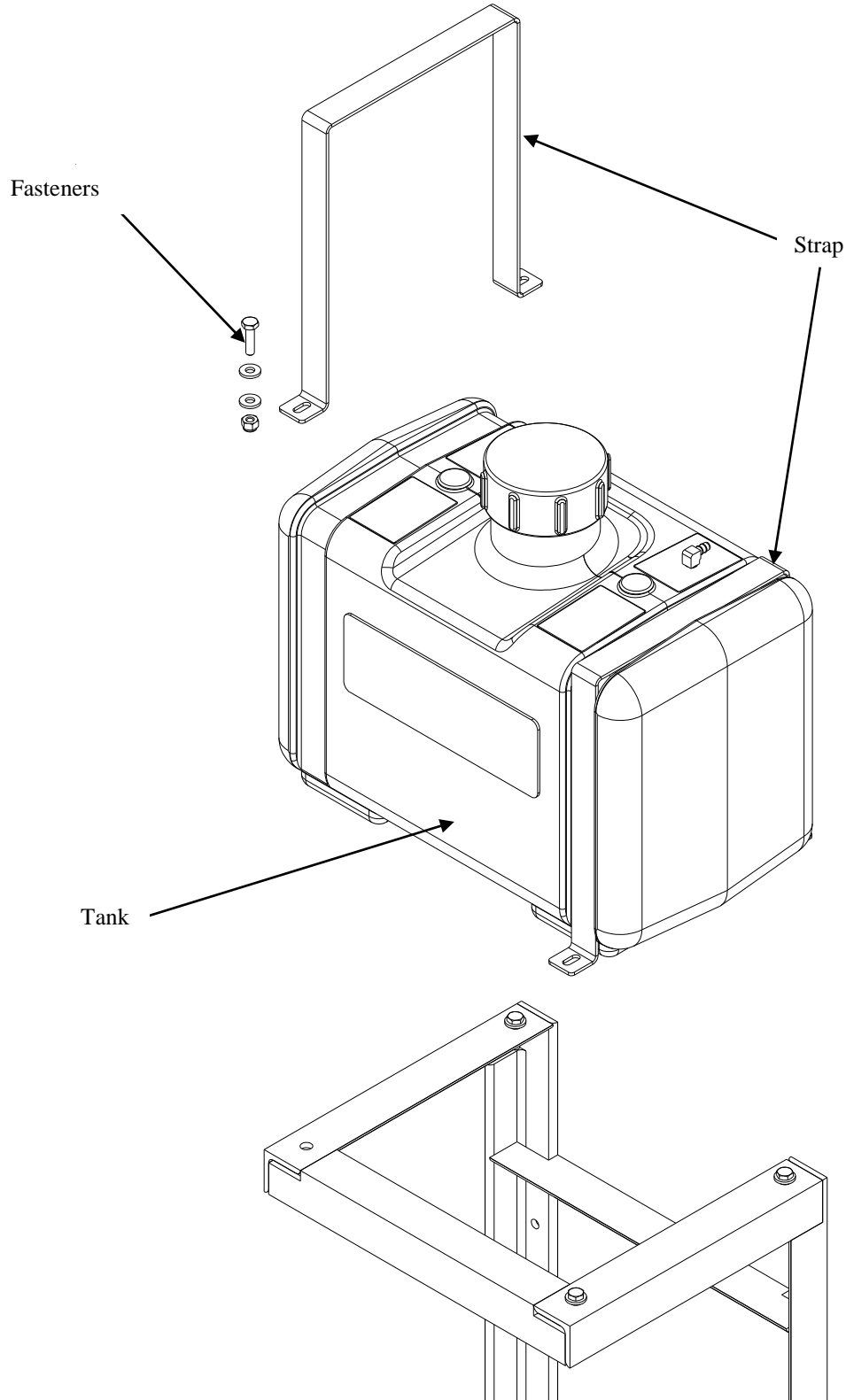
Installation Instructions

Step 1

- Install supplied straps around tank to frame and secure with supplied fasteners. Bolt and washer on top with nut and washer on bottom. Torque nuts to 6 ft-lbs.
- Each strap is connected to the frame at two points and there are two straps for a total of four connections points.

Tools Needed

- 7/16 socket
- Ratchet
- Torque wrench
- 3/8 wrench



Installation Instructions

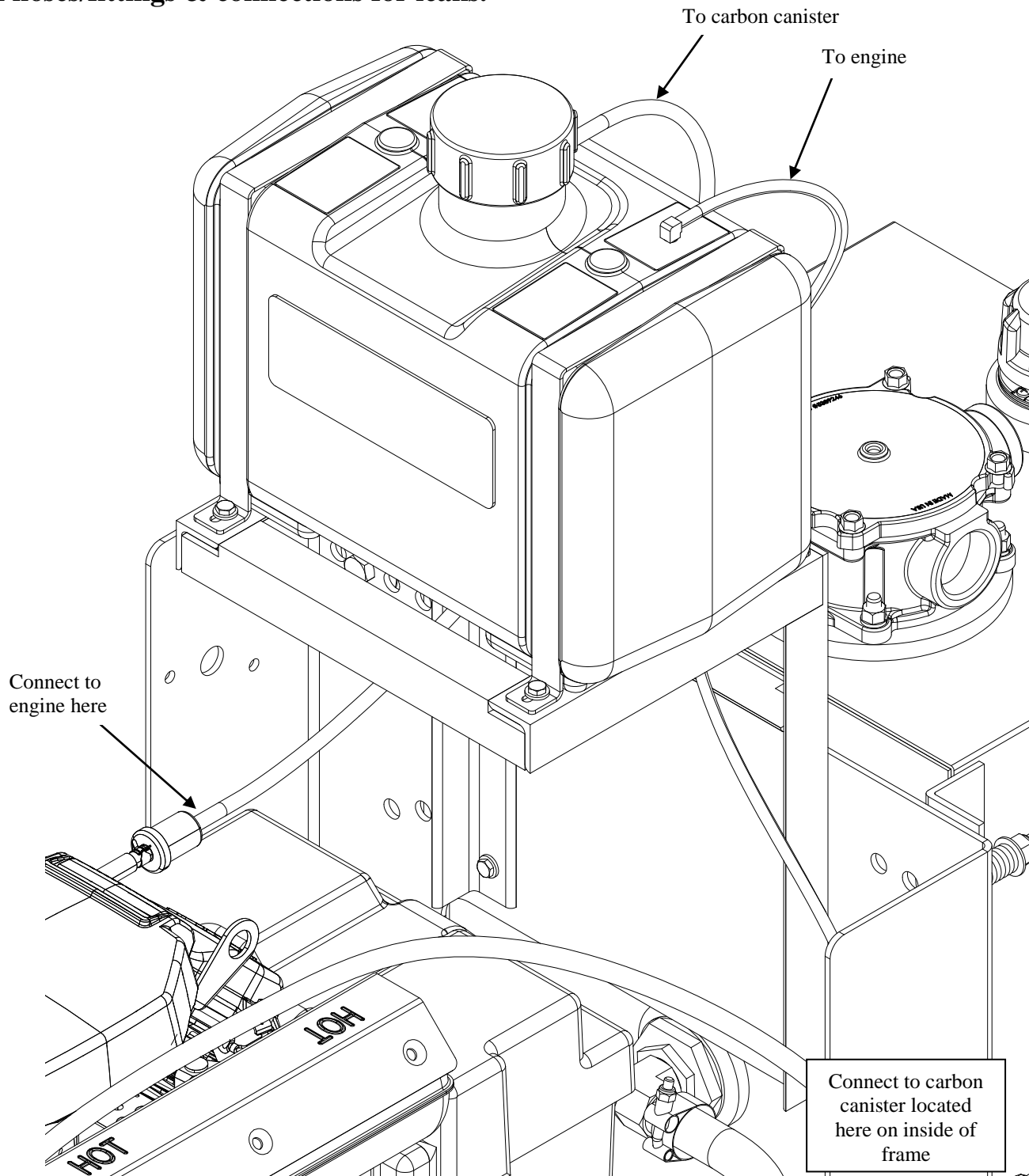
Step 2

- Place hose clamps over hose ends about 2" in from ends.
- Push hoses onto fittings. Connect to the described locations as shown below.
- Move clamps up to 1/4" from hose ends.
- Secure hoses away from sharp or abrasive points with cable ties.
- Cut off cable tie ends.

Tools Needed

- Side cutters
- Pliers

Note: After unit and engine has been serviced per manufacture guidelines, check all fuel-oil hoses/fittings & connections for leaks.



This page has intentionally been left blank.

BRAVE

20195 S. Diamond Lake Rd, Ste 100
Rogers, MN 55374
1-800-350-8739