

# BRAVE

# M800183A

Valve handle & quick connect kit for  
HBHR280GX, HBHR350GX

## Instructions for Assembly

### Valve Handle & Quick Connect Kit

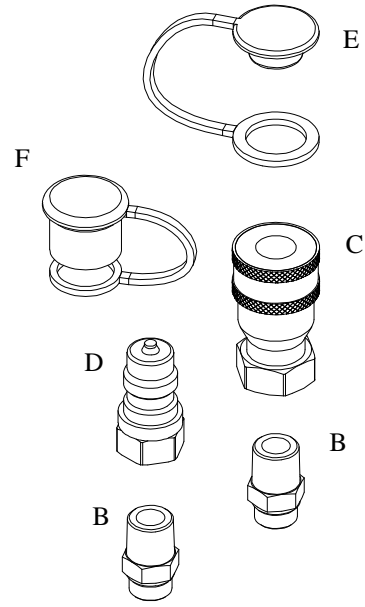
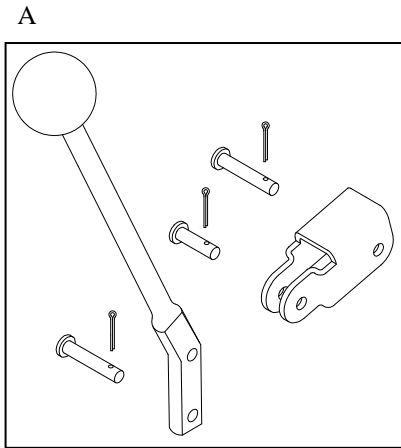
#### WARNING

Before installing kit or operating unit, please read instructions in owner's manual and review warnings. Failure to read the manual before installing components could result in serious injury or damage to the hydraulic power pack.

**Any Questions, Comments, Problems or Parts Orders**  
***Call Brave Product Support 1-800-350-8739***

# Installation Instructions

## Kit Contents



REF	ITEM #	DESCRIPTION	QTY
-	1159418	SINGLE SPOOL MONO-BLOCK 20 GPM (Already installed)	1
A		Valve Handle and associated parts	1
B	1014003	#08 Male ORB X 1/2" Male NPT	2
C	1085800	F.bir 12 NPT - 1/2" NPT Coupler	1
D	1085801	M.bir 12 NPT - 1/2" NPT Tip	1
E	1081058	1/2 BODY DUST PLUG	1
F	1081070	1/2 DUST CAP	1

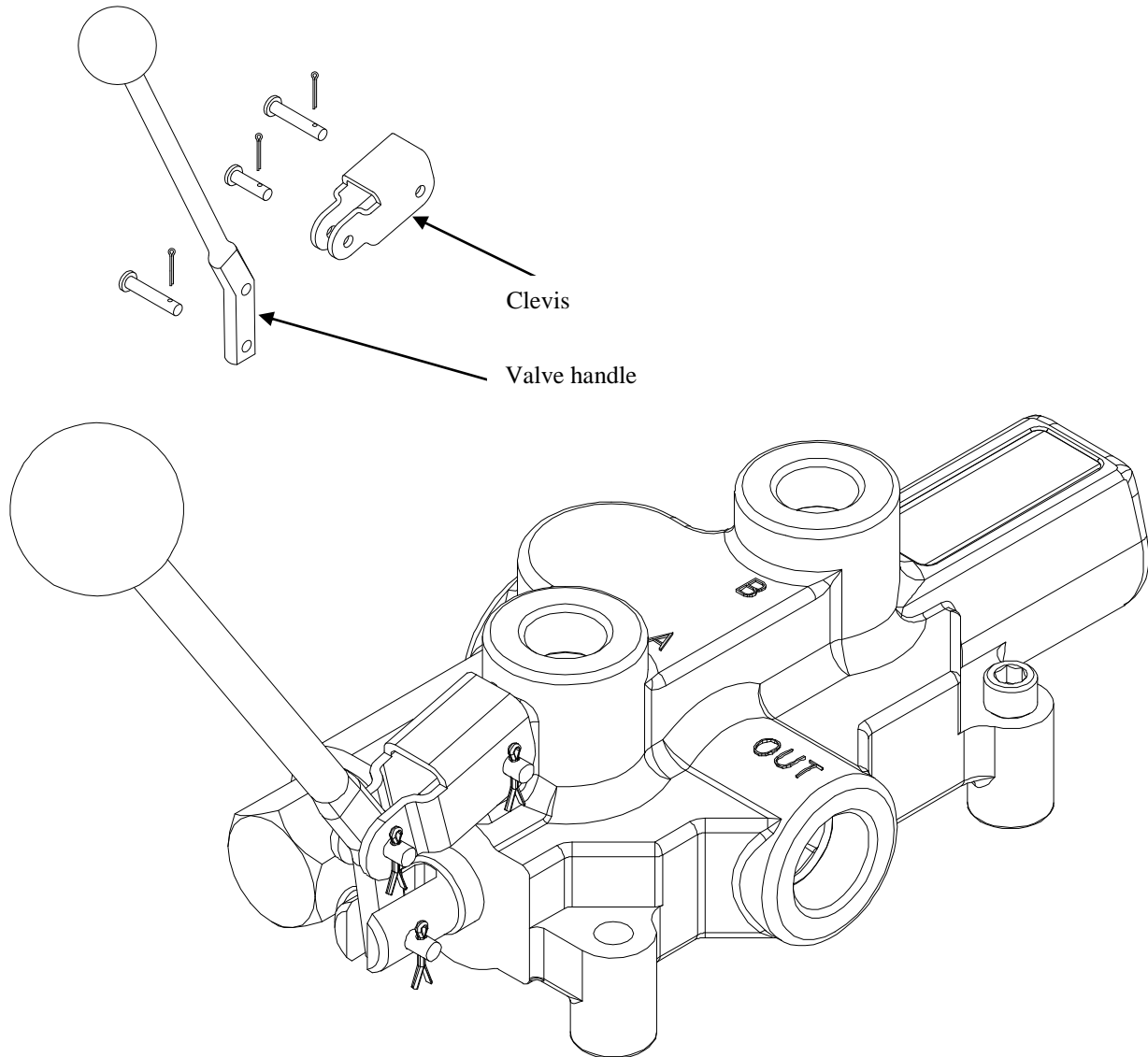
# Installation Instructions

## Step 1 – Handle to Control Valve

- Locate valve on unit.
- Slide clevis onto valve body, insert pins, and secure with supplied cotter pins.
- Slide control valve handle into the clevis slots on control valve.
- Align holes in handle with clevis holes.
- Insert the supplied pins through holes and secure with supplied cotter pins.

## Tools Needed

- Pliers



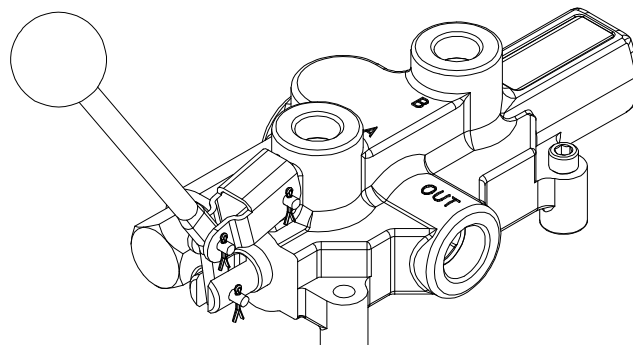
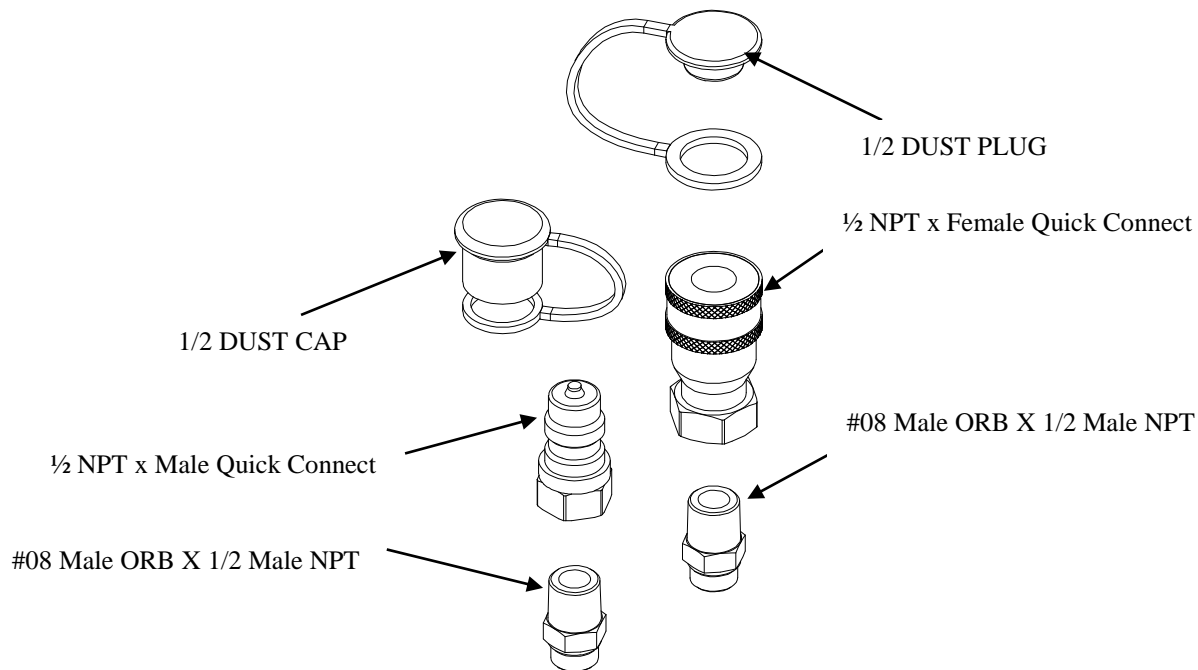
# Installation Instructions

## Step 2 – Install fittings

- Install fittings in order shown to ports as indicated by A and B.
- Thread O-ring side of NPT x ORB fittings into the valve ports A and B finger tight.
- Torque fittings to valve at 37-46 ft.-lb.
- CAUTION: Never back off an installed pipe fitting to achieve proper alignment. Loosening installed pipe fittings will corrupt the seal and contribute to leakage and failure.
- Slip rubber straps over NPT x ORB fittings.
- Apply thread sealant and screw finger-tight (2) NPT x quick disconnect fittings onto the fittings installed into valve A and B ports. Which fitting is attached to which port is up to the customer. Please refer to owner's manual to determine direction of flow and desired configuration of quick disconnect fittings.
- Hold NPT x ORB fitting and wrench-tighten the quick disconnect fitting to 1.5-3.0 Turns Past Finger Tight position. Properly assembled fittings total thread engagement should be 3.5-6 turns.
- Press plug/cap into place over quick disconnect fittings.

## Tools Needed

- Adjustable wrench
- 7/8 Deep Socket
- Torque Wrench
- Ratchet



*This page has intentionally been left blank.*

# **BRAVE**

20195 S. Diamond Lake Rd, Ste 100  
Rogers, MN 55374  
1-800-350-8739